



Fax requests for spare parts
to 44(0) 113 219 0703 or 33(0)1 45 11 60 60

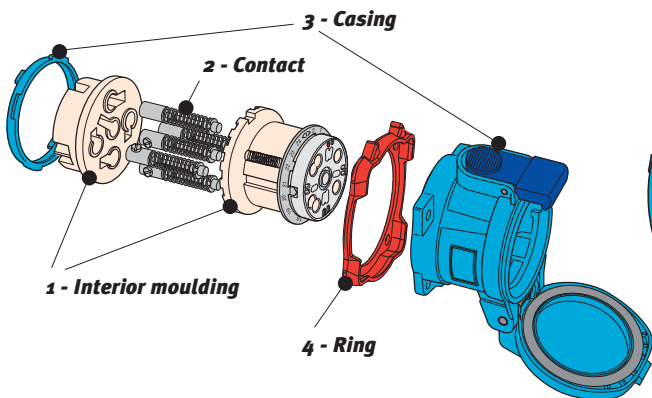
DSN - Spare parts for socket-outlets and inlets

To ensure you receive the correct Marechal spare parts, simply fill out this form and fax it back to us.

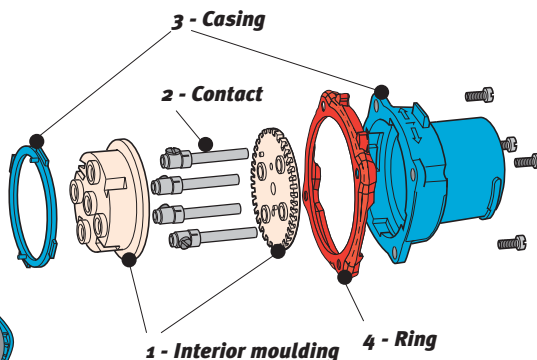
For UK & Eire, dial 44... (see top), for all other countries, use the second phone number (33...)

We will send it back with a quotation number that you will use to place your order.

Socket-outlet (female)

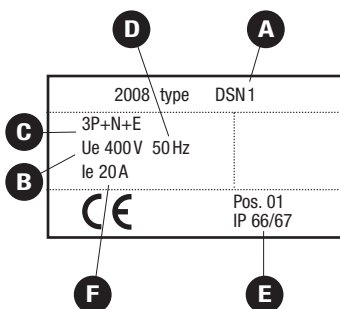


Inlet (male)



Part selected: for socket-outlet / for inlet (circle your choice) Nb of parts: _____
N° and description: _____

Your range (see label below)



- A** Range: _____
- B** Voltage: _____
- C** Polarity: _____
- D** Frequency: _____
- E** Keying position: _____
- F** Current: _____

Your company information

Company name: _____
 Contact name: _____
 Address: _____

 Phone: _____ Fax: _____
 E-mail: _____

Our reply



Quotation according to your above request

Quote number: _____
 Price each: _____
 Validity: _____



Fax requests for spare parts
to 44(0) 113 219 0703 or 33(0)1 45 11 60 60

DN - Spare parts for socket-outlets and inlets

To ensure you receive the correct Marechal spare parts, simply fill out this form and fax it back to us.

For UK & Eire, dial 44... (see top), for all other countries, use the second phone number (33...)

We will send it back with a quotation number that you will use to place your order.

Socket-outlet (female)

Inlet (male)

Part selected: for socket-outlet / for inlet (circle your choice) Nb of parts: _____
 N° and description: _____

Your range (see label below)

D	A
2008 type DN 1	
C	B
3P+N+E Ue 400V 50Hz Ie 30A	
F	E
Pos. 01 IP 55	

A Range: _____

B Voltage: _____

C Polarity: _____

D Frequency: _____

E Keying position: _____

F Current: _____

Your company information

Company name: _____

Contact name: _____

Address: _____

Phone: _____ Fax: _____

E-mail: _____



Our reply



Quotation according to your above request

Quote number: _____

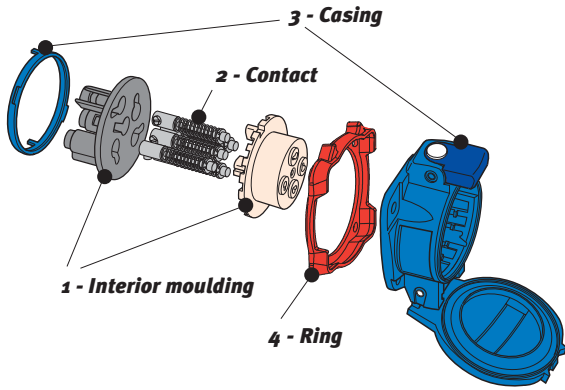
Price each: _____

Validity: _____

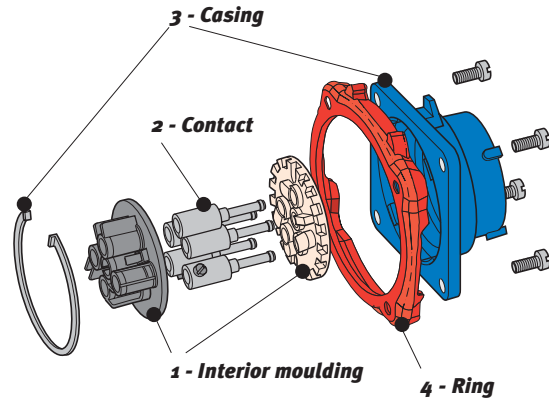


PN - Spare parts for socket-outlets and inlets

Socket-outlet (female)

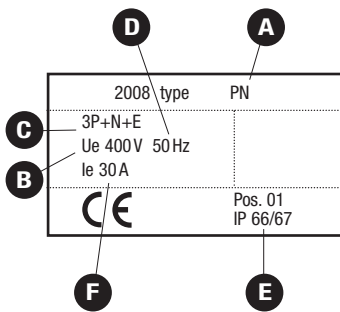


Inlet (male)



Part selected: for socket-outlet / for inlet (circle your choice) Nb of parts: _____
 N° and description: _____

Your range (see label below)



Poly Metal High temp. metal

- A** Range: _____
- B** Voltage: _____
- C** Polarity: _____
- D** Frequency: _____
- E** Keying position: _____
- F** Current: _____

Your company information

Company name: _____
 Contact name: _____
 Address: _____

 Phone: _____ Fax: _____
 E-mail: _____

To ensure you receive the correct Marechal spare parts, simply fill out this form and fax it back to us.

For UK & Eire, dial 44... (see top), for all other countries, use the second phone number (33...)

We will send it back with a quotation number that you will use to place your order.



Our reply



Quotation according to your above request

Quote number: _____
 Price each: _____
 Validity: _____



Fax requests for spare parts
to 44(0) 113 219 0703 or 33(0)1 45 11 60 60

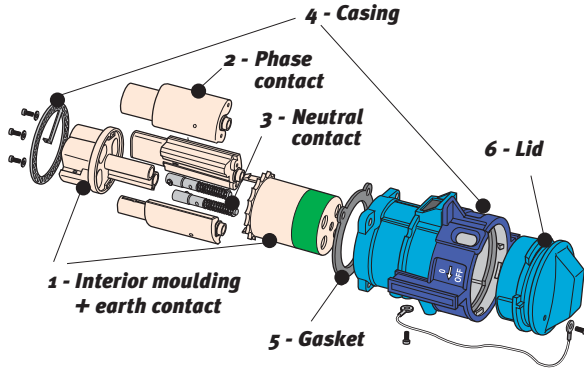
DB - Spare parts for socket-outlets and inlets

To ensure you receive the correct Marechal spare parts, simply fill out this form and fax it back to us.

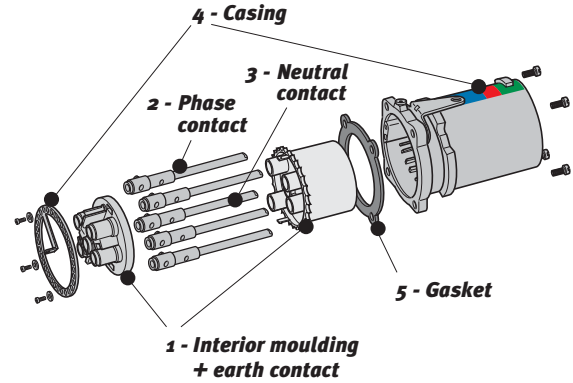
For UK & Eire, dial 44... (see top), for all other countries, use the second phone number (33...)

We will send it back with a quotation number that you will use to place your order.

Socket-outlet (female)

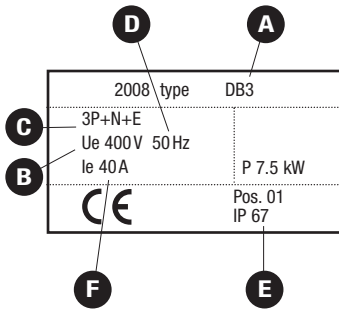


Inlet (male)



Part selected: for socket-outlet / for inlet (circle your choice) Nb of parts: _____
N° and description: _____

Your range (see label below)



- A** Range: _____
- B** Voltage: _____
- C** Polarity: _____
- D** Frequency: _____
- E** Keying position: _____
- F** Current: _____

Your company information

Company name: _____
 Contact name: _____
 Address: _____

 Phone: _____ Fax: _____
 E-mail: _____

Our reply



Quotation according to your above request

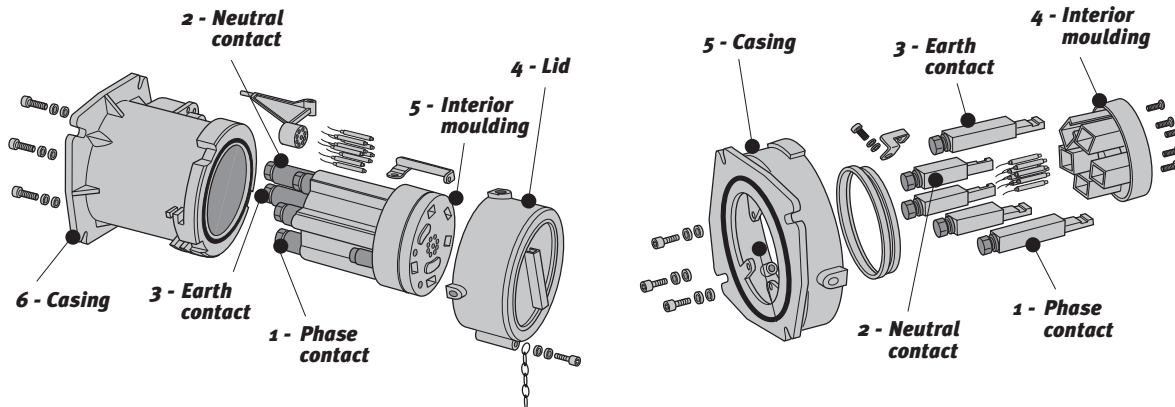
Quote number: _____
 Price each: _____
 Validity: _____



PF - Spare parts for socket-outlets and inlets

Socket-outlet (female)

Inlet (male)



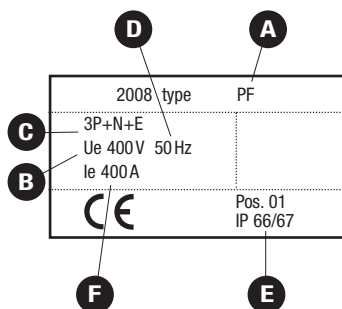
Part selected: _____ for socket-outlet / for inlet (circle your choice) Nb of parts: _____
N° and description: _____

To ensure you receive the correct Marechal spare parts, simply fill out this form and fax it back to us.

For UK & Eire, dial 44... (see top), for all other countries, use the second phone number (33...)

We will send it back with a quotation number that you will use to place your order.

Your range (see label below)



- A** Range: _____
- B** Voltage: _____
- C** Polarity: _____
- D** Frequency: _____
- E** Keying position: _____
- F** Current: _____

Your company information

Company name: _____
 Contact name: _____
 Address: _____

 Phone: _____ Fax: _____
 E-mail: _____



Our reply



Quotation according to your above request

Quote number: _____
 Price each: _____
 Validity: _____